

REQUIRED ITEMS**1. Tools**

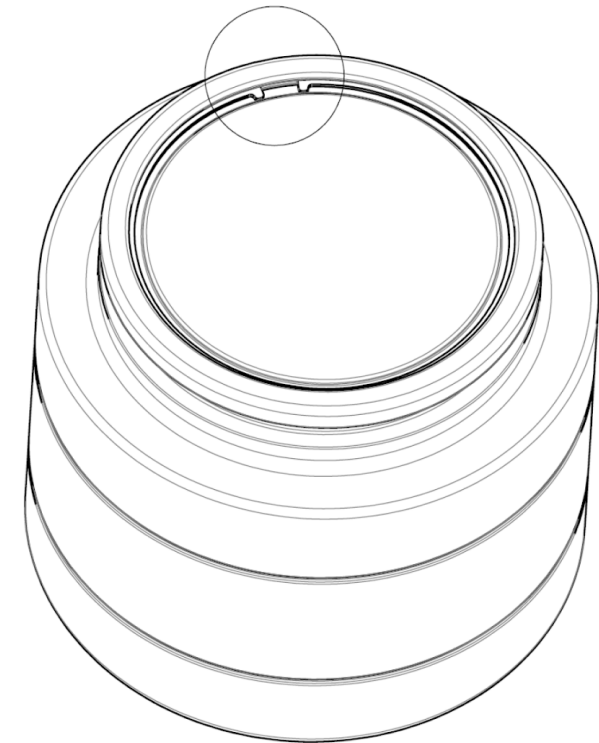
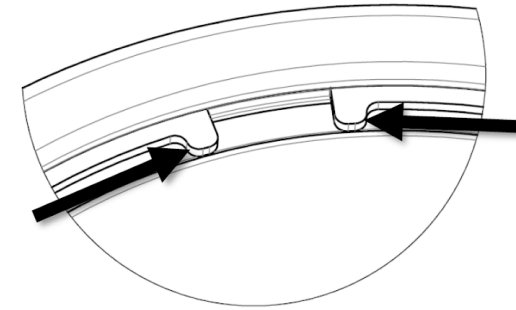
- One new Watercup Bottom Assy or check if you can re-use the old Watercup Bottom Assy.

2-step replacement process:

Note: the right sequence and placement of the three parts is very important here.

How the parts must be placed:

1. Disassemble the Watercup Snap Ring (4) by pressing the tabs towards each other. Remove the Watercup Shower Head (3) and Jet Breaker (2) from the Watercup (1).
2. Clean the Watercup, especially clean the groove where the snap ring was installed and remove any debris.



REQUIRED ITEMS**1. Tools**

- One new Watercup Bottom Assy or check if you can re-use the old Watercup Bottom Assy.

Assemble steps:

Assembling the new Watercup Bottom parts:

1. Insert the new Jet Breaker (2) and Filter (3) in the Watercup (1). Carefully observe the direction of the Filter (3): The dent facing outward, see picture.
2. Install the new snap ring (4) by pressing in the tabs towards each other. If necessary, use a plastic tool as a helper. Make sure the snap ring is firmly seated in the groove.

Well done! Enjoy your espresso!

Superkop, easy-to-handle.

