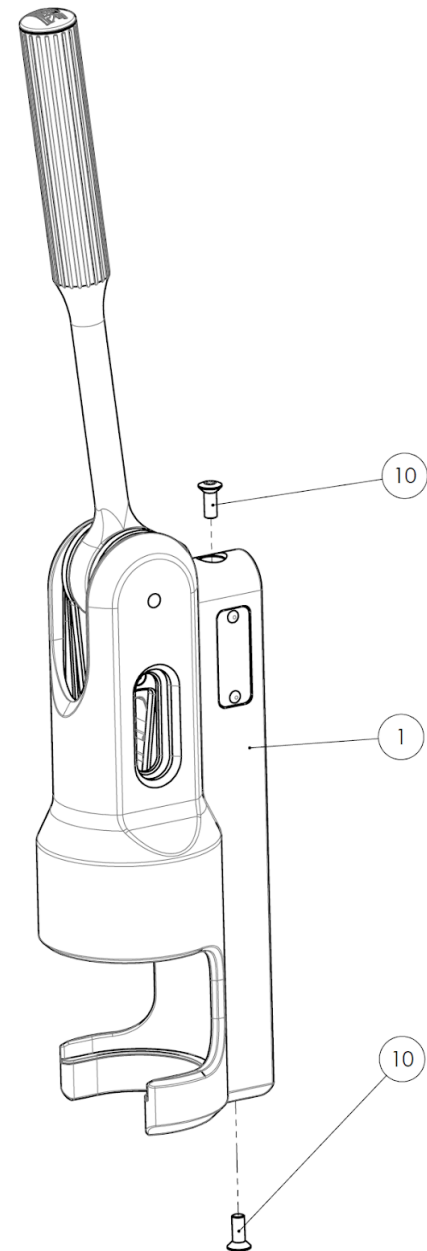


REQUIRED ITEMS

1. Tools
 - Set of Allen Keys
 - Flat head screwdriver
 - Cross head screwdriver (Phillips)
2. Loctite 243 – screw locking glue
3. New Gas Spring Assy

Disassemble the Superkop from wall or base stand.

1. Remove the Superkop housing from the base stand or wall by unscrewing the screws no.10 on top and bottom of the housing, this will expose the Gas Spring Assy on the back of the housing.
2. Put lever in upright position to release pressure on Gas Spring Assy.



REQUIRED ITEMS

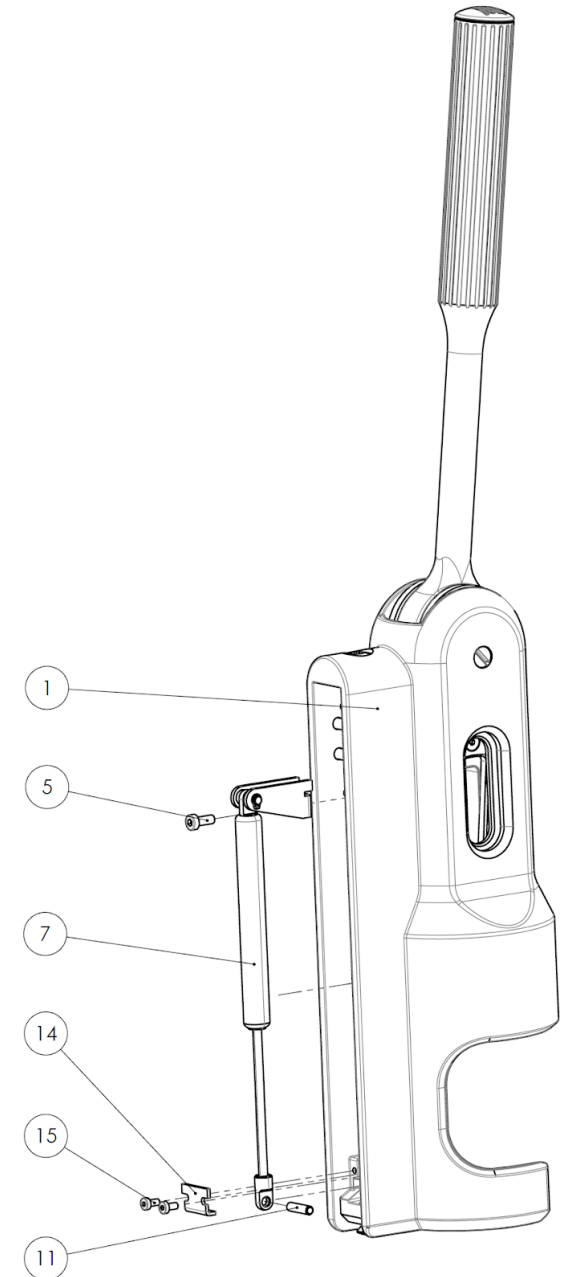
1. Tools
 - Set of Allen Keys
 - Flat head screwdriver
 - Crosshead screwdriver (Phillips)
2. Loctite 243 – screw locking glue
3. New Gas Spring Assy

Disassemble the Superkop from wall or base stand.

1. Remove the two screws (no. 15) and remove the Gas Spring Lock Bracket (no. 14).
2. With a small flat screwdriver carefully remove the Gas Spring Assy and the Gas Spring Pin (no. 11).
3. Remove screw no.5 and remove the Gas Spring Assembly (no. 7).

Re-assemble the new Gas Spring Assy part 1

1. Insert the new Gas Spring Assy (no. 7), in the housing. Apply thread locking glue (Loctite 243) on screw no.5 and lock into place.
2. Insert the Gas Spring Locking Pin (no 11) in the bottom hole of the Gas Spring and insert the Gas Spring assembly into the housing (1).
3. Use a flat headed screwdriver to help sliding the pin into the slot, see picture below.



REQUIRED ITEMS

1. Tools
 - Set of Allen Keys
 - Flat head screwdriver
 - Cross head screwdriver (Phillips)
2. Loctite 243 – screw locking glue
3. New Gas Spring Assy

Re-assemble the new Gas Spring Assy. part 2

1. Assemble the Gas Spring Bracket (no. 14) again by means of the 2 screws no. 15.
2. Check the mechanism by pulling the lever 6 times, release the pressure and see if the Gas Spring is functioning without any issues.
3. Reattach the Superkop housing to the base or wall with the 2 screws no. 10.

Please note: All screws should be locked with thread locker (Loctite 243) and locked firmly.

Well done! Now it's time to enjoy your espresso!

Superkop, easy to handle.

