

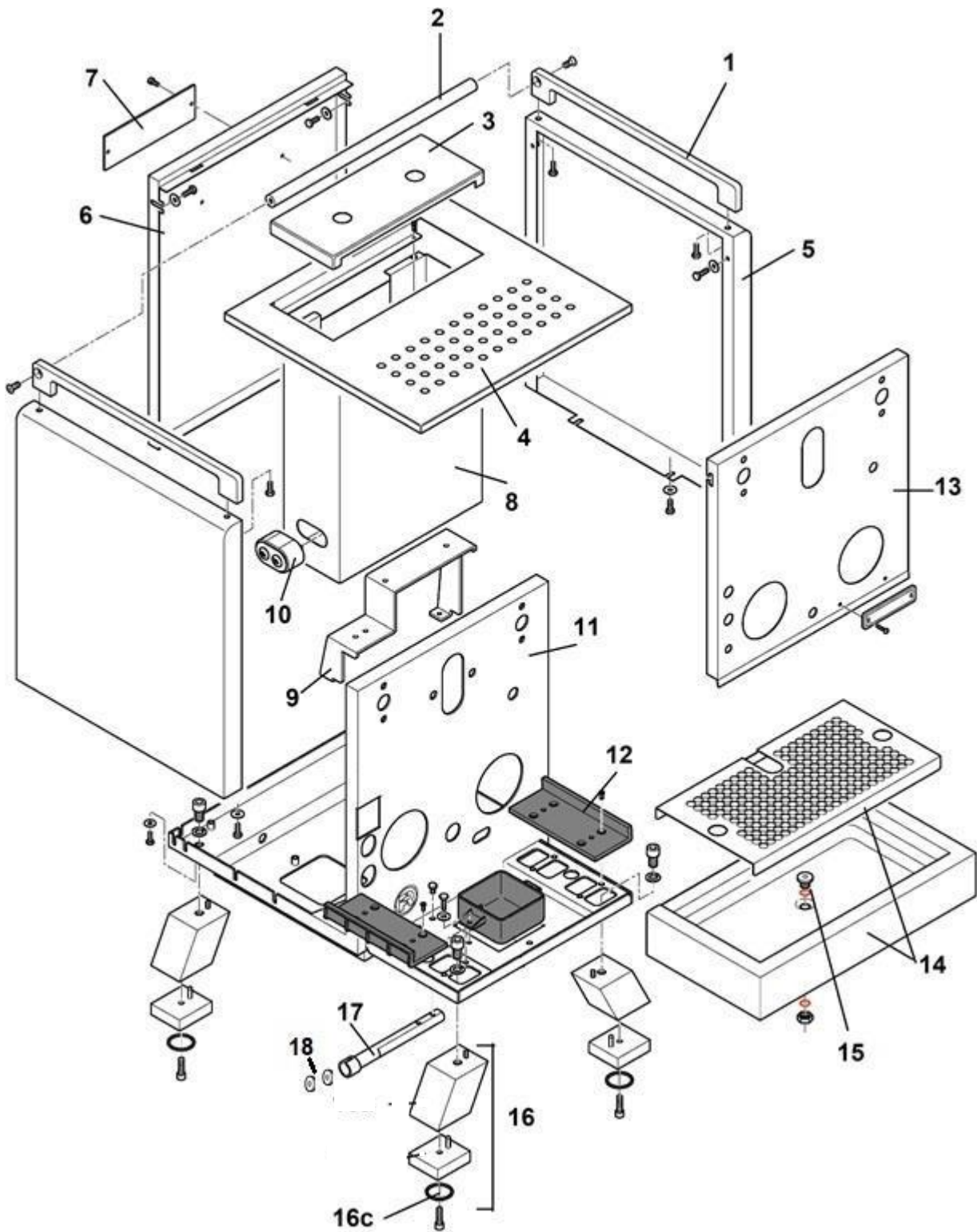


R CINQUANTOTTO

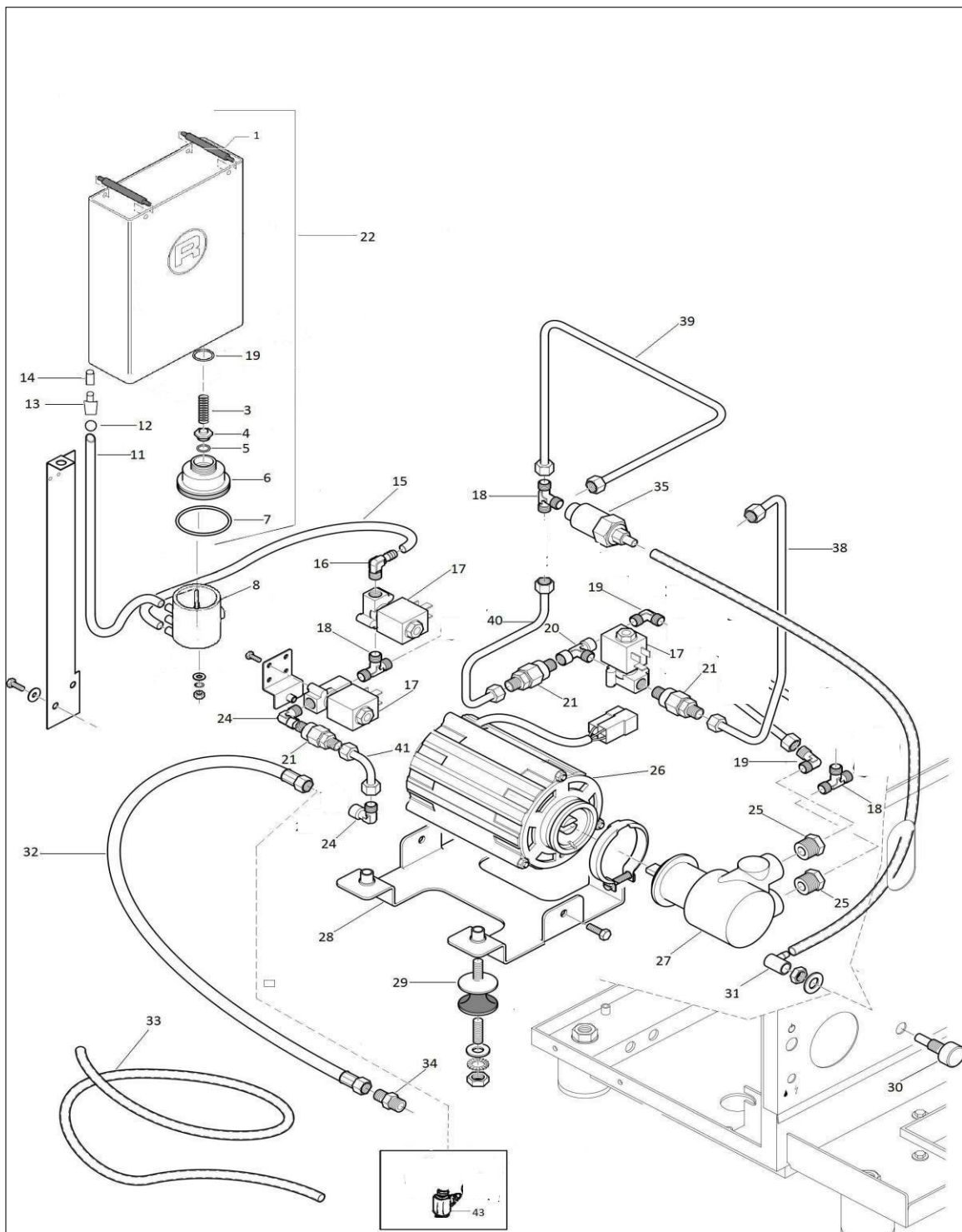
Espresso Machine

Spare parts catalogue

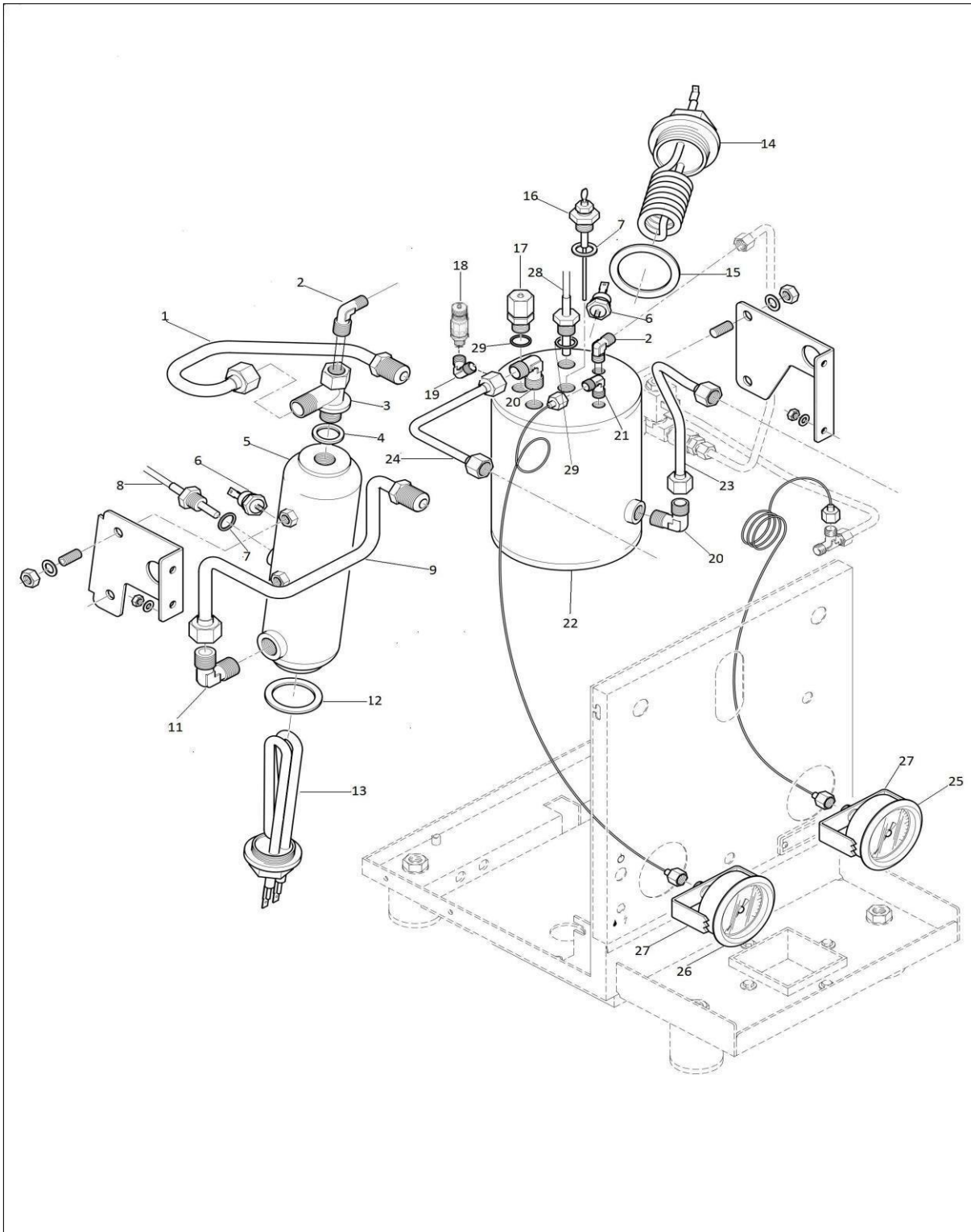
Ed. 10.2024



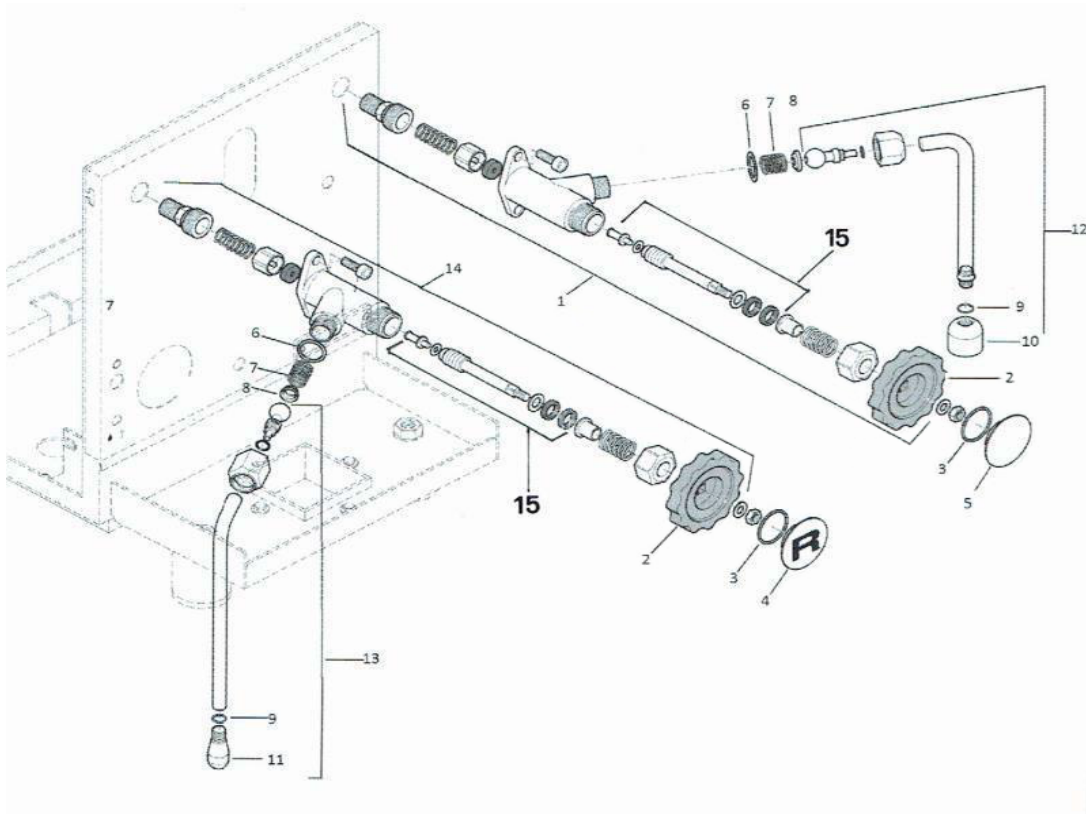
Pos.	Code Nr.	Description	Notes
1	A619906932	Cups frame	
	A611006932	Cups frame engraved	
2	A059906933	Cups frame rod	
3	C01L000382	Tank cover	
4	A019906929	Cups support panel	
5	A019906927	Side panel	
6	A019906928	Rear panel	
7	A859904400	Rear rocket tag	
8	A019904656	Tank guide	
9	A019906937	Tank guide bracket	
10	R839907128	Water control system	
11	A019906926	Chassis	
12	A439905130	Tray guide	
13	A011006823	Front panel	
14	RA99906574	Drip tray complete	Composed by: grid (A019906573) + drip tray (R011006574)
15	A229904512	Drip tray plug	
16	A059907027	Complete foot	
16c	A449906954	Foot o -ring	
17	A519906923	Support display	
18	A899906930	Magnet	
	A899906931	Magnet	



Pos.	Code Nr.	Description	Notes
1	A639904956	Water tank handle	
3	C019900711	Water tank spring	
4	C430003482	Water tank connector	
5	C449900702	O ring	
6	A439905146	Coupling	
7	A449904547	Lower tank Oring	
8	R899906970	Manifold complete with support	
8a	C520003483	Opening valve rod	till Sn D1314R581793 (use with 8 and 8b)
8b	C449901159	O ring	till Sn D1314R581793 (use with 8 and 8a)
11	C260003822	6 x 9 Silicon pipe	
12	C430003819	Valve ball	
13	A299908765	Non return connector	Before machine serial#: D2318R5810697 use code number: C220003818
14	C400001928	4 x 7 Silicon pipe	
15	C499900769	5 x 8 Silicon pipe	
16	A229904511	Silicon pipe holder	
17	C190004066	Solenoid valve V230	
17 A	C190004067	Solenoid valve V115	
18	A229904358	1/8 T Connector M	
19	A229904445	L-Shaped Fitting MF 1/8	
20	C229900703	1/8 T Connector FMF	
21	C229900540	Non return valve	
24	A229904445	L-Shaped Fitting MF 1/8	
25	A229904356	3/8 - 1/8 MF Reduction	
26	A199904493	Pump motor V230	
26 A	A199904494	Pump motor V115	
27	A299904495	Volumetric pump	
28	A009904447	Motor bracket	
29	A499904364	Motor schock absorber	
30	A227704363	Expansion output	
31	C449900709	Rubber connector	
32	A299904390	Direct water connection hose	
33	M499904824	9 x12 Silicon pipe	
34	A229904374	3/8 M-1/8 M Connector	
34 USA	A229905211	3/8 F-1/8 M Connector	
34 USA	A229905212	3/8 M - 9/16 M Connector	
35	C229900911	Expansion valve	
38	A279904644	Boiler fill pipe	
39	A279906955	Pipe	
40	A279906956	Pipe	
41	A27NI04353	Pump to solenoid valve pipe	
43	A229904349	Svivel connector	
22	R899906849	Water tank complete	

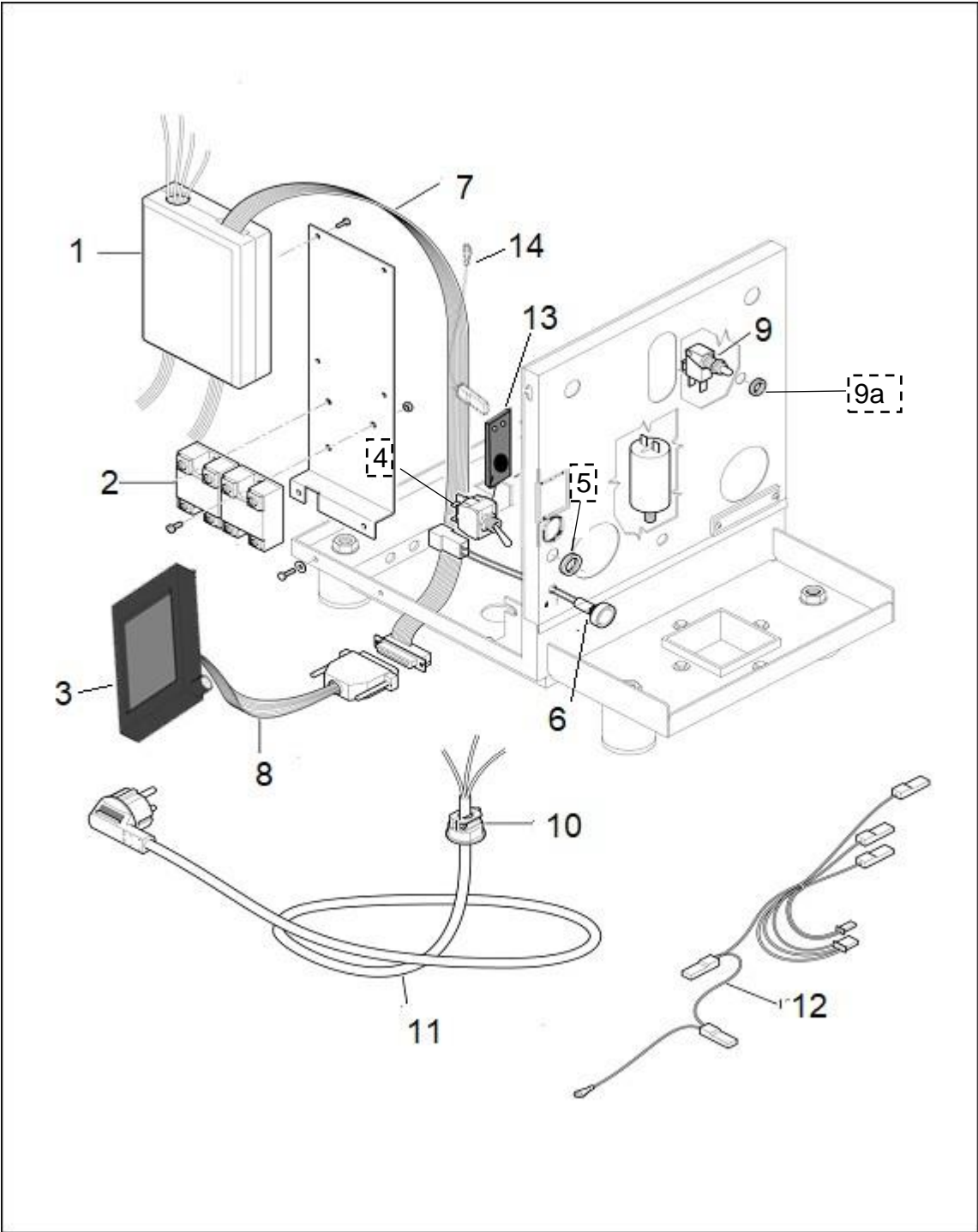


Pos.	Code Nr.	Description	Notes
1	A27NI05173	Inlet pipe w. 3 mm restrictor	
2	C22NI00393	Injector	
3	C229900740	Connector	
4	C479900673	Copper gasket	
5	A270004558	Coffee boiler	
6	C199901550	Thermostat 135C	
7	A269904417	OR Viton 114	
8	A119905081	NTC Probe	
9	A27NI04641	Return pipe	
11	A229904957	L Connector 3/8 MM	
12	C469900239	Heating element gasket	
13	A199905013	Heating element V230	
13 A	A199905014	Heating element V115	
14	A110004667	Heating element V230	
14 A	A110004668	Heating element V115	
15	A269904671	Heating element gasket	
16	A199905078	R58 Service boiler probe	
17	A219905510	Vacuum breaker valve	
18	A229905084	Safety valve 1.8	
19	A229904680	3/8 L Connector MF	
20	C229900525	1/4 L Connector MM	
21	A229904355	1/8 L Connector MM	
22	A270004559	Service boiler	
23	A27NI04645	Hot water pipe	
24	A27NI04646	Steam pipe	
25	A219906185	Pump pressure gauge	
26	A219906184	Boiler pressure gauge	
27	A019905645	Pressure gauge support	
28	A119905081	NTC Service boiler probe	
29	A269904417	Teflon gasket	

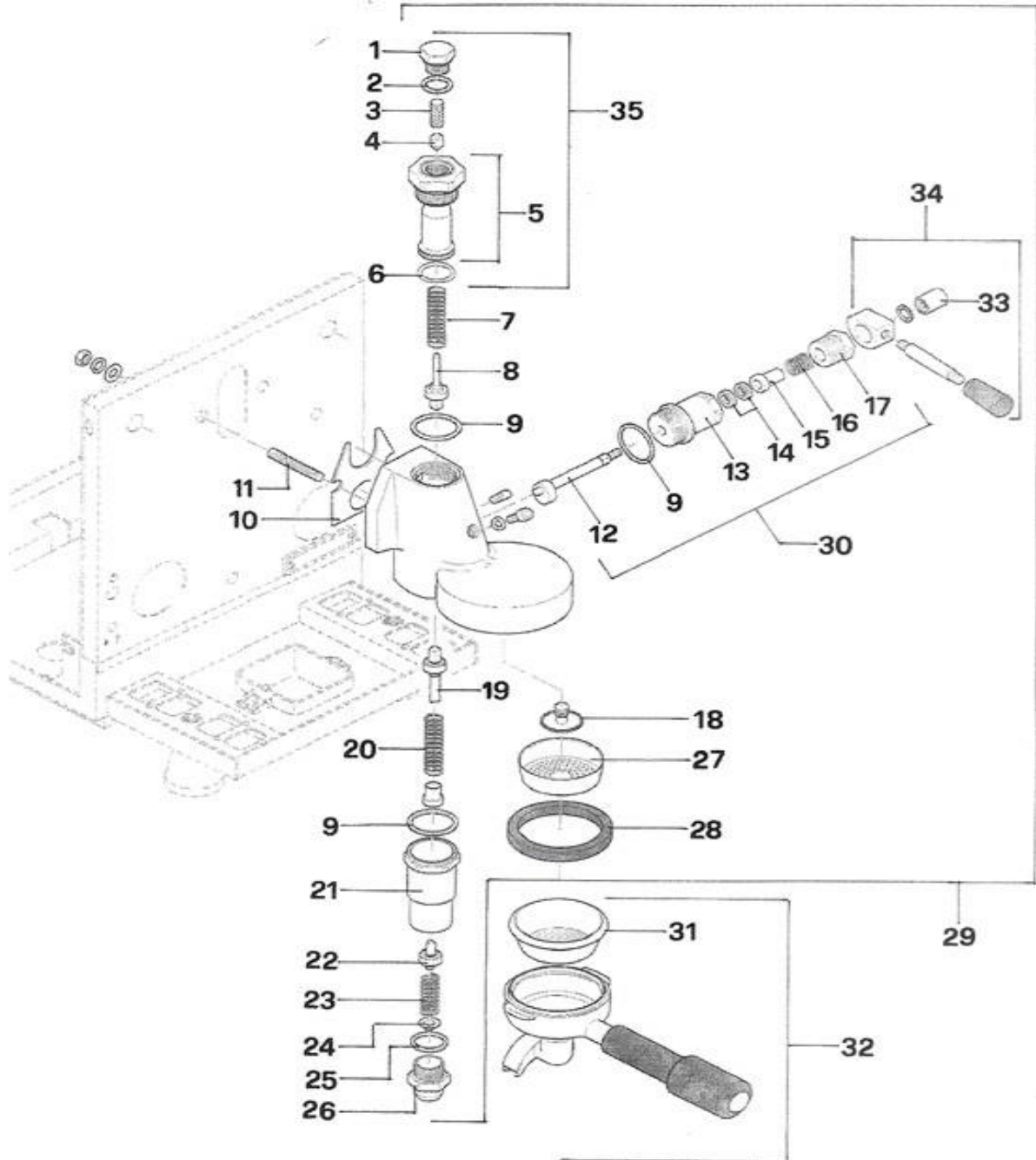


Steam and hot water assembly

Pos.	Code	Description	Notes
1	A227704669	Hot water valve with handle	
2	A639905816	Steam/hot water valve handle	From serial # D1540R58
3	A449904672	Oring	
4	A529R04649	Steam cover handle	
5	A527704649	Hot water cover handle	
6	A449904331	Teflon gasket	
7	A209904332	Spring	
8	A229904333	Plate	
9	C400002022	Oring	
10	R299905217	Hot water nozzle	
11	A899905091	Steam tip 1.5	
11a	A899905092	Steam tip 1.2	
12	A219904650	Hot water wand complete	
13	A219904651	Steam wand complete	
14	A227705093	Steam valve with handle	
15	R229905676	Valve rod (compl. assembly kit)	



Pos.	Code Nr.	Description	Notes
1	A199906962	Control Box V230	
1a	A199907279	Control board V2.0 or following	From D2144
2	A190004666	Relay	
3	A199906960	TFT Display complete	
3a	A199907280	Display USB type B	From D2144
4	A199904992	On/Off switch	
5	A199904989	Nut	
6	A139904519	Green lamp	
7	A199906957	Cable machine to display USB female	From D2144
7a	A199906959	Cable machine to display USB male	from Sn D1233R584657
8a	A199907281	Cable USB type B	From D2144
9	A199905198	Microswitch	
9a	A559905197	Nut	
10	C439900086	Cord lock	
11	C199900957	CE Power cord	
11	A199904518	IS Power cord	
11	A199904616	KR Power cord	
11	C199900958	UL Power cord	
11	C199901115	AUS/NZ Power cord	
11	C199901116	GB Power cord	
11	C199901510	CH Power cord	
12	A199907024	Wiring loom	
13	A199907083	OLED Display	
13a	A019906645	Black plastic cover OLED	
14	A199906722	OLED Display cable	
14a	A439907084	OLED Glass	



Pos.	#	Description	Notes
1	A229904391	Rounded nut	
2	C469900420	Gasket	
3	C619900554	Filter	
4	C229900549	Restrictor 0,8	
6	C469900422	Green gasket	
7	A999905754	Spring	
8	R229905608	Valve	
9	C469900421	Teflon gasket	
10	C449900767	Gasket	
11	A319904599	Screw	
12	R229905238	Shaft	
13	R000002142	Flange	
14	C219900426	Gasket	
15	R000002143	Support	
16	C219900427	Spring	
17	R000002144	Cover	
18	C229901228	Diffuser	
19	R229905239	Valve	
20	A999905754	Spring	
21	C229901165	Cylinder	
22	R229905609	Valve	
23	R299905958	Spring	
24	R000002148	Connector	
25	C469900783	Gasket	
26	R000002149	Connector	
27	C519900103	Shower foil	
28	C449900229	Group gasket	
29	C200002983	Group complete	
30	R299905887	Cam kit	
31	C610003902	7 g filter basket	
	C610003901	14 g filterbasket	
	C619900106	Backflush cap ("blind filter")	
32	A699905020	1 cup filter holder with basket	
	A699905021	2 cups filter holder with basket	
33	R000002146	Pin	
34	R299905888	Lever assembly	
35	RA99905814	Ceramic group shaft	