

**QUICK  
START  
GUIDE**

**pUO<sup>®</sup>**  
**PRESS**

MODEL

**MINI** **Q** **PRO**

1-210-0073-6



**⚠ WARNING**

For more information see the extended manual online about safe installation and operation.



## INTENDED USE

The PUQpress is intended as a fully automatic coffee tamper.

Grounded coffee can be tamped with an adjustable force.

The PUQpress is intended for indoor use only.

Any modification of the PUQpress may have consequences for safety, warranty and proper functioning.

## SAFETY INSTRUCTIONS

**⚠ WARNING**

- Ensure you have fully read and understood the instructions in this document before you install or use the PUQpress. Keep this document for future reference.
- Only use the PUQpress as described in this document.
- This appliance can be used by children aged from 8 years and above and persons with reduced physical, sensory or mental capabilities or lack of experience and knowledge if they have been given supervision or instruction concerning use of the appliance in a safe way and understand the hazards involved.
- Never let children play with the PUQpress. Not doing so may result in the PUQpress getting damaged.

- Cleaning and user maintenance shall not be made by children without supervision.
- Never immerse cables, plugs or the PUQpress itself into water or other liquids to avoid electric shock, or injury.
- Always switch off the PUQpress before performing maintenance or cleaning on the PUQpress to avoid electric shock, or injury.
- Always remove the plug from the outlet before performing maintenance or cleaning on the PUQpress to avoid electric shock, or injury.
- Always unplug the PUQpress from the power source and other equipment if problems occur to avoid electric shock, or injury.
- Never use the PUQpress if the PUQpress, cable or plug is damaged. Any required repairs may only be conducted by authorized service personnel. For this reason, please contact a customer

service repair facility or your dealer. Using the PUQpress if the PUQpress, cable or plug is damaged may result in electric shock, or injury.

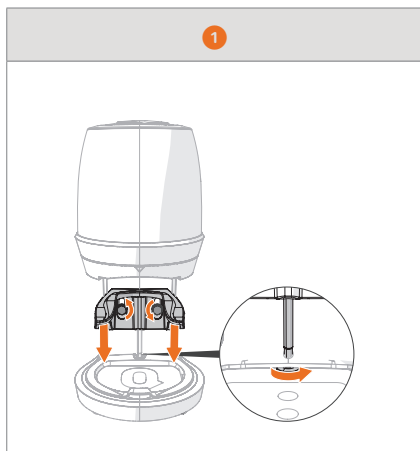
### **⚠ CAUTION**

- Always adjust the lower clamp before use. Not doing so results in exposure of dangerous moving parts.
- Never insert your hand (or other limbs) in between the PUQpress base and lower clamp. Risk to pinch.
- Never make any modifications or alterations to the PUQpress. The manufacturer holds no liability for damages resulting from failure to observe these instructions.
- Never drop the PUQpress and avoid bumping. Not doing so results in the PUQpress getting damaged.
- Never unplug the PUQpress by pulling the

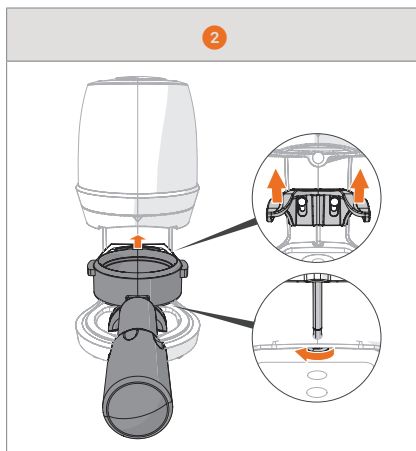
cable. Always grasp the plug and pull.

- Always place the PUQpress on a level, vibration-free surface.
- Never operate the PUQpress in moist or wet conditions.
- Make sure the portafilter (group handle) does not wiggle after adjusting.
- Make sure not to use a damp/wet cloth to clean the tamper base. Grounded coffee will stick to the tamper base.

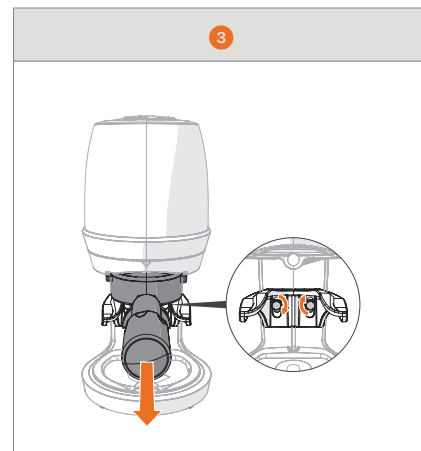
## ADJUSTING THE PORTAFILTER CLAMP



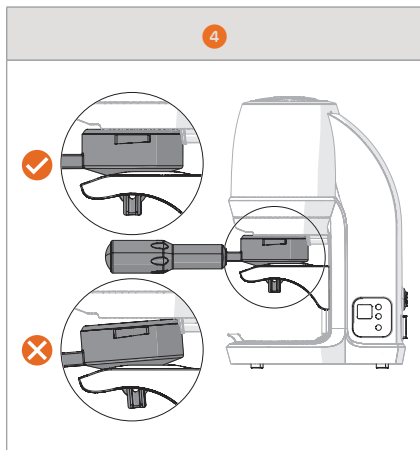
1. Slightly loosen the bolts of the lower clamp. Use the provided T-wrench. **1**
2. **Mini:** Pull down the lower clamp. **1**  
**Q/Pro:** Rotate the adjustment wheel clockwise to move the lower clamp down. **1**



3. Insert the portafilter between the upper and lower clamp. **2**
4. **Mini:** Move up the lower clamp. **2**  
**Q/Pro:** Rotate the adjustment wheel counter-clockwise to move the lower clamp up. **2**
5. Slightly fasten the bolts of the lower clamp. Use the provided T-wrench.



6. Remove the portafilter. **3**
7. Fasten the bolts of the lower clamp with the T-wrench. **3**
8. Insert the portafilter between the upper and lower clamp and check if the portafilter slides in easily.
9. If the portafilter slides in too easily, start again at step 1.



10. Make sure the portafilter does not wiggle after adjusting. 4

## SWITCHING ON THE PUQPRESS

1. Plug the power cable into the PUQpress.
2. Plug the other side of the power cable into a socket or (wall) outlet.
3. Switch on the PUQpress by setting the **on/off switch** to I.

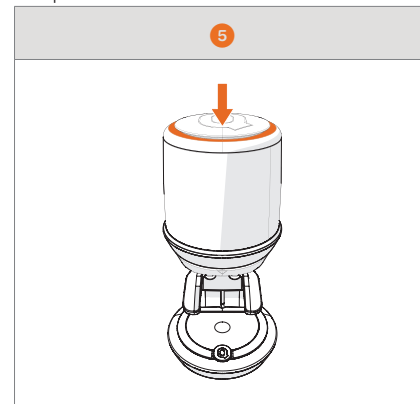
## USING THE PUQPRESS IN PRIMARY MODE (FOR MINI, Q, AND PRO)

1. Level the grounded coffee in the portafilter.
2. Insert the portafilter between the upper and lower clamp.
3. The PUQpress automatically starts tamping the coffee. The contactless sensor detects the metal portafilter.
4. Wait until the PUQpress has tamped the coffee.

5. Remove the portafilter after a full cycle of approximately 1.5 seconds.

## USING THE ALTERNATIVE TAMPING MODE (PRO ONLY)

1. Level the grounded coffee in the portafilter.



2. Press the **alternative tamping mode switch**. The alternative tamping mode switch LED lights up orange. 5

3. Insert the portafilter between the upper and lower clamp.
4. The PUQpress automatically starts tamping the coffee. The contactless sensor detects the metal portafilter.
5. Wait until the PUQpress has tamped the coffee.  
The PUQpress returns to primary mode. The alternative tamping mode switch LED lights up white.
6. Remove the portafilter after a full cycle of approximately 1.5 seconds.

## ADJUSTING THE PRIMARY TAMPING FORCE

Adjust the tamping force by using the display and the buttons.

1. Press the **plus button** to increase the force.
2. Press the **minus button** to decrease the force.

## ADJUSTING THE ALTERNATIVE TAMPING FORCE (PRO ONLY)

Adjust the alternative tamping force by using the alternative tamping mode switch and buttons next to the display.

1. Press the **alternative tamping mode switch**. The alternative tamping mode switch LED lights up orange.
2. Press the **plus button** to increase the force.
3. Press the **minus button** to decrease the force.
4. Press the **alternative tamping mode switch** again to go back to primary tamping mode, or wait for 5 seconds. The alternative tamping mode switch LED lights up white in primary mode.

## CLEANING THE PUQPRESS

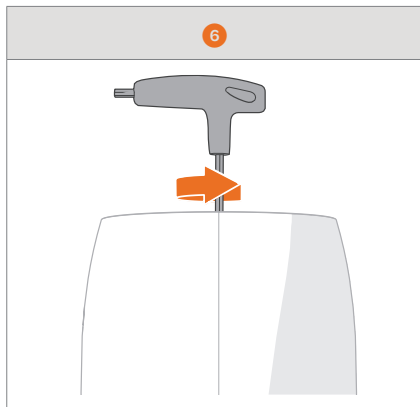
Clean the housing of the PUQpress with a damp cloth. Refer to the table for an overview of the cleaning intervals.

Part	Cleaning method	Cleaning interval
Tamper base (bottom)	Dry cloth	Daily
Tamper base (whole)	Dry cloth	Weekly
Upper clamp cavity (when tamper base is removed)	Dry cloth	Weekly
Contactless sensor	Brush	Daily

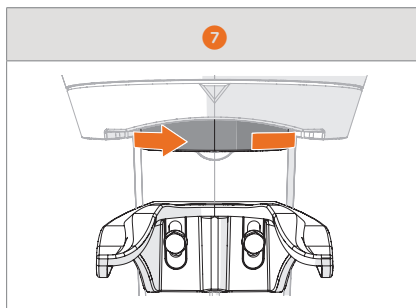
## CLEANING THE TAMPER BASE

Clean the tamper base regularly:

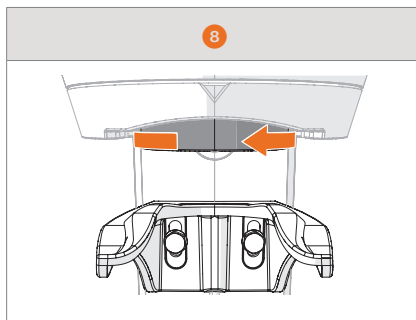
1. Press the **set button**. The tamper base moves down in the cleaning position.
2. Remove the lid of the PUQpress.



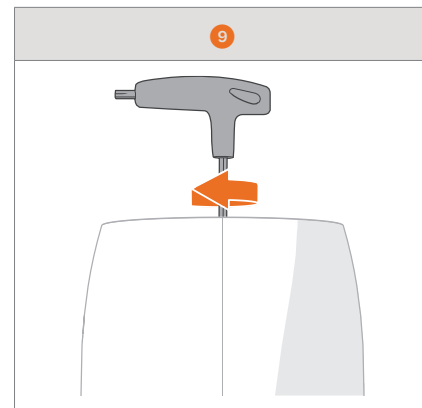
3. Unscrew the tamper base bolt by turning the Allen key counter-clockwise. **6**
4. Remove the bolt.



5. Unscrew the tamper base by turning it clockwise. **7**
6. Use a brush or dry cloth to clean the tamper base and cavity.



7. Screw the tamper base back by turning it counter-clockwise. **8**
8. Place the bolt.



9. Screw the bolt back by turning the Allen key clockwise. **9**
10. Place the lid of the PUQpress.
11. Press the **set button** again. The tamper base moves upwards to the original position.



precision  
coffee  
tamper

PUQpress is a product of Barista Technology B.V.



**Barista Technology B.V.**

[info@baristatechnology.com](mailto:info@baristatechnology.com)

Kotterstraat 14, 3133 KW Vlaardingen, The Netherlands

[PUOPRESS.COM](https://www.puopress.com)