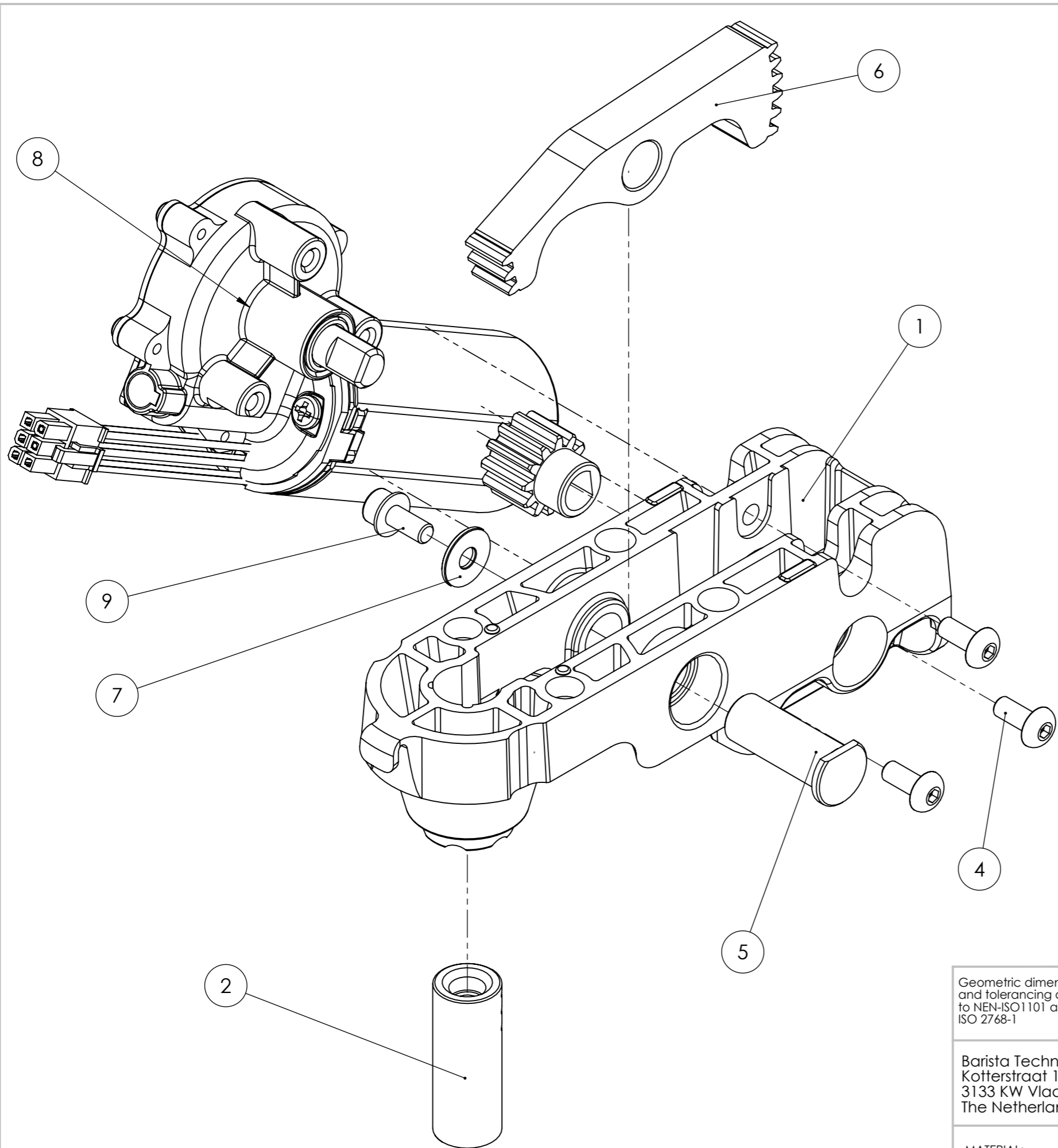


REVISIONS			
REV.	DESCRIPTION	DATE	APPROVED
A	--	05-08-2020	L.Pluimers

ITEM NO.	PART NUMBER	DESCRIPTION	QTY.
1	1-210-0248-4	Motor frame M-line - Low type	1
2	1-210-0272-1	Rack shaft - M-line - low type,	1
3	1-210-0057-1	Spur gear	1
4	1-110-0082-1	Hex. button head screw M5x12,	3
5	1-210-0042-1	Shaft spur gear T59	1
6	1-210-0249-2	Spur gear T59 - low type	1
7	1-110-0086-1	Mudwing repair washer, M5x15x1.5	1
8	1-110-0002-1	-motor with encoder + connector	1
9	1-110-0088-1	Hexagon head cap screw M5x12 + washer	1



Geometric dimensioning and tolerancing according to NEN-ISO1101 and NEN-ISO 2768-1	FINISH:	DO NOT SCALE DRAWING	DEBUR AND BREAK SHARP EDGES
			SCALE:1:5
Barista Technology B.V. Kotterstraat 14 3133 KW Vlaardingen The Netherlands		Part name: <b>Drive unit - M3/5</b>	
MATERIAL:		Part number.: 1-310-0015-1	A3
WEIGHT: 410.86 g		Doc: 110-1	Page: 1 of 1