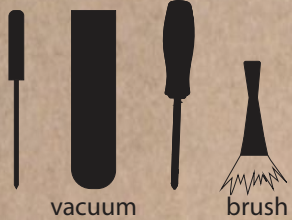


What you need

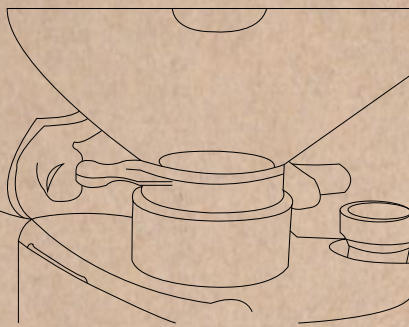
Allen key screwdriver



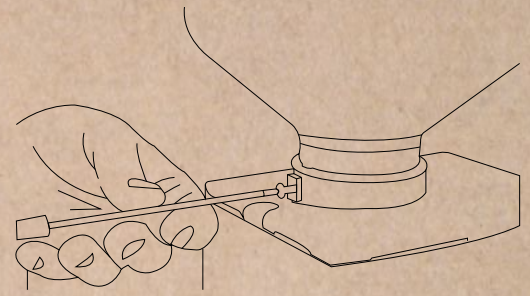
HOW TO CLEAN & CHANGE BURR OF YOUR ATOM SPECIALTY



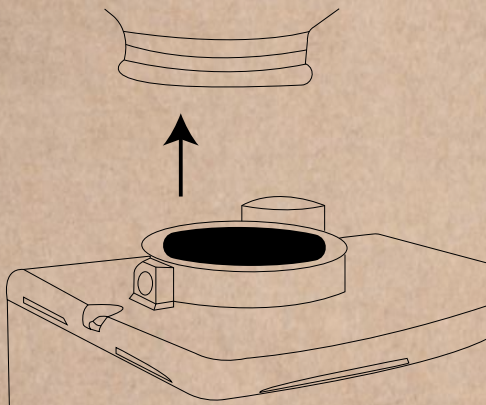
YOUR COFFEE EXPERIENCE



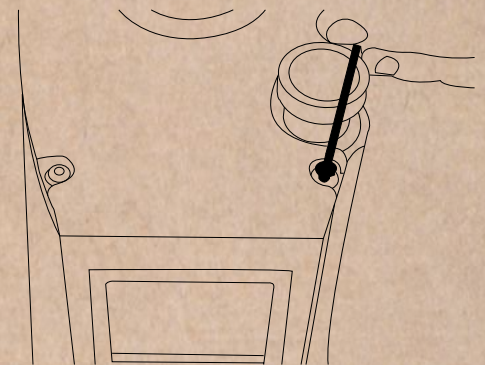
① Close the hopper tab and grind the residual coffee beans



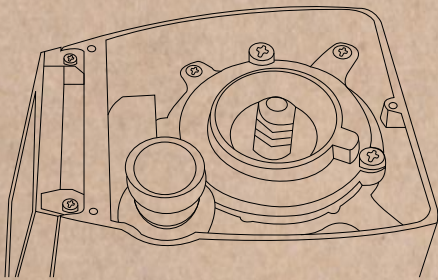
②



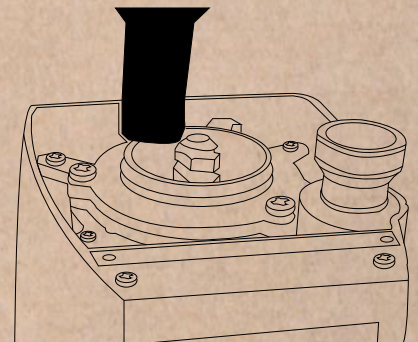
③



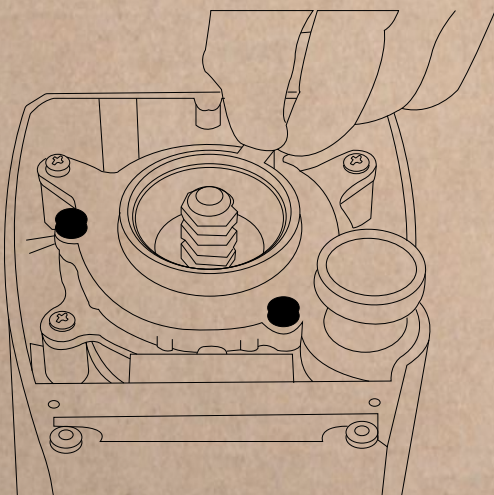
④ Unscrew the cover



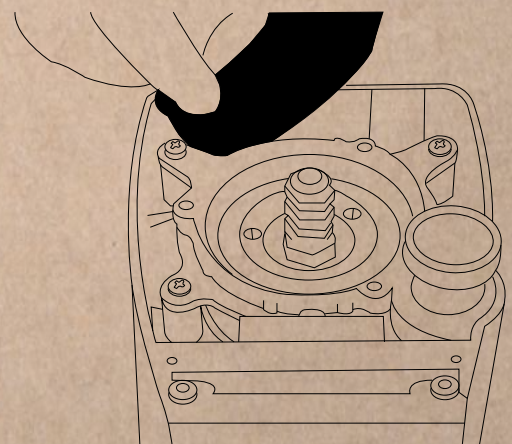
⑤



⑥ First cleaning of the grinding chamber



⑦ Unscrew the upper burr holder

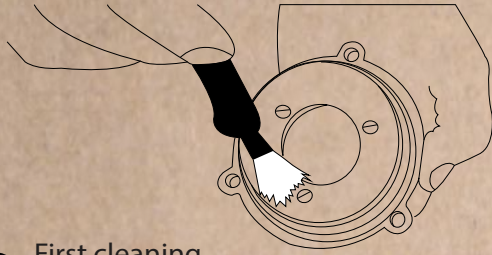


⑧

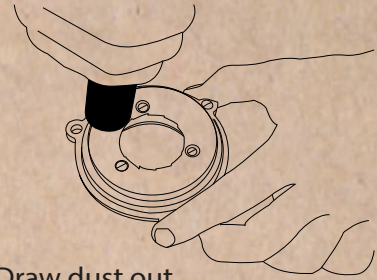
HOW TO CLEAN & CHANGE BURR OF YOUR ATOM SPECIALTY



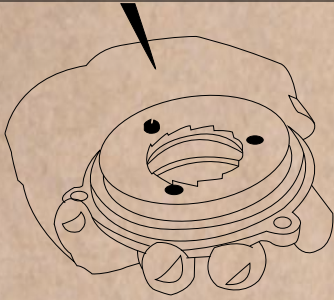
YOUR
COFFEE
EXPERIENCE



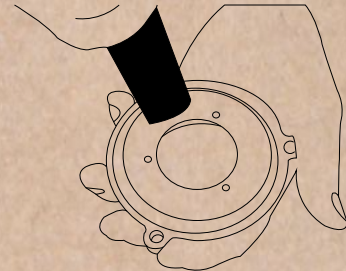
9 First cleaning of the upper burr



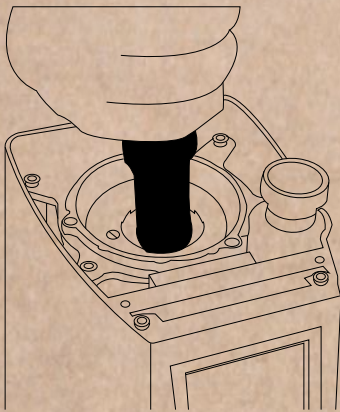
10 Draw dust out from the upper burr



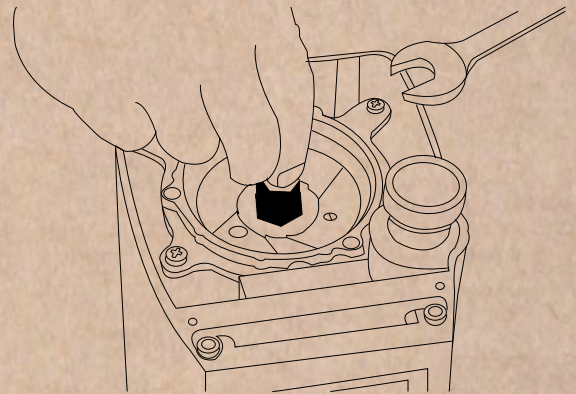
11 Take the upper burr out from the upper burr holder



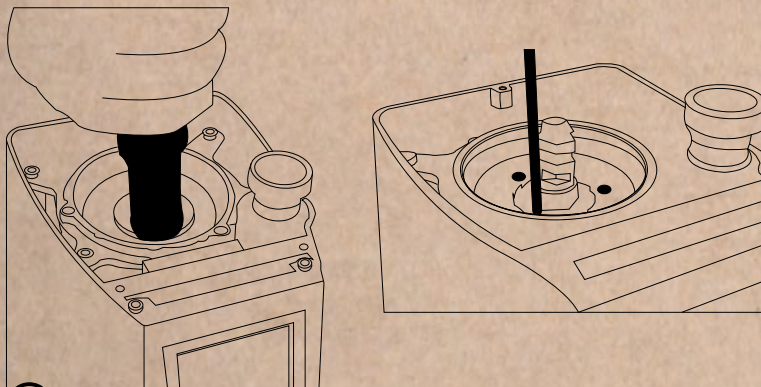
12 Draw dust out from the upper burr holder



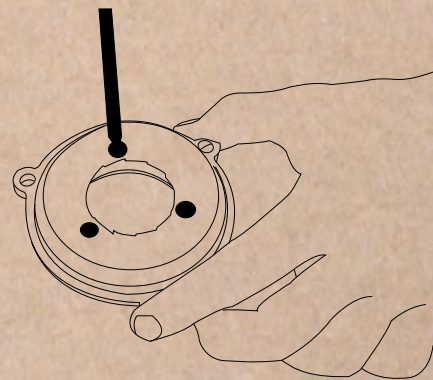
13 Draw dust out from the lower burr



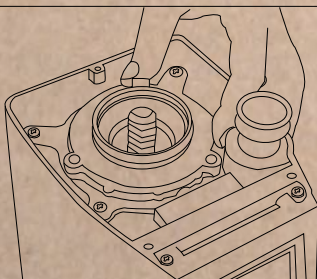
14 Unscrew and take out the lower burr



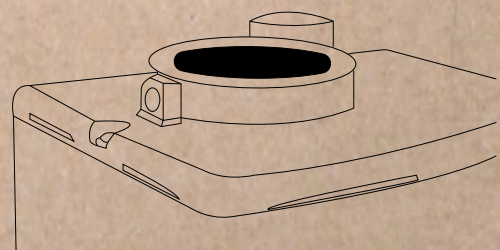
15 Remove the coffee residue from the grinding chamber
Put the lower burr back



16 Replace the upper burr on the upper burr holder



17 Put the upper burr holder back



18 Replace the cover